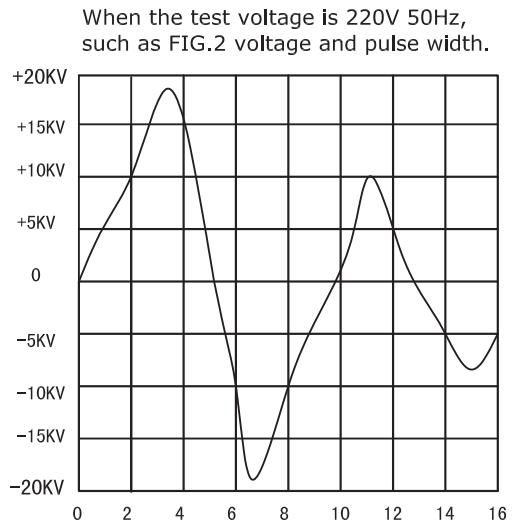
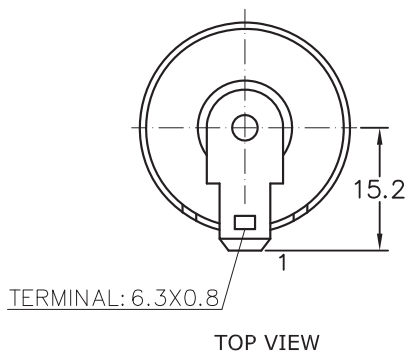
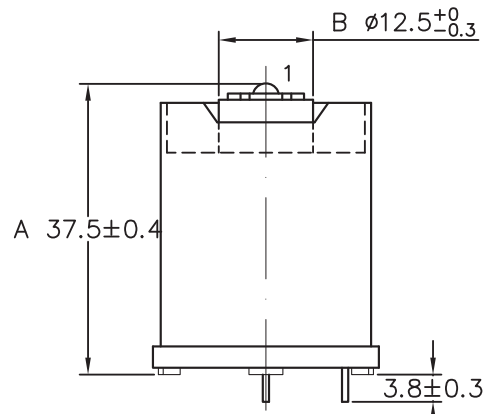
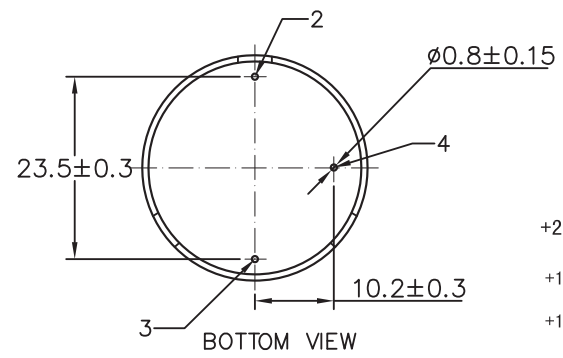


(Mark)	(Qty.)	(EC Content)	(EC Reason)	(EC No.)	(Date)	(Proposer)
a						
b						
c						



TYPICAL WAVEFORM AT THE H.V. POINT WITH PULSE WIDTH IN THE TRANSFORMER INTO A 20PF LOAD
FIG.2

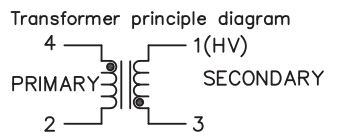
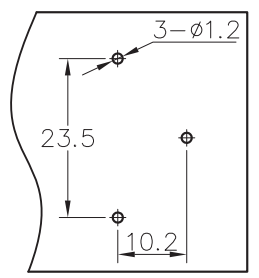


FIG. 3



PCB FIX SIZE

NOTES:

- 1.PRIMARY: 23± 1/2 TURN 1UEW-0.45;
- 2.SECONDARY: 3900 TURN 1UEW-0.057;
- 3.HYPOT 1250VAC. BETWEEN PRIMARY AND SECONDARY;
- 4.THE USE OF TEMPERATURE - 40~85 ° C;
- 5.FILL MATERIAL: EPOXY,VACUUM FORMED;
- 6.PEAK PRIMARY CURRENT: 60 AMPS;
- 7.ADDITIONAL ELECTRICAL SPEC'S.(FOR REF.ONLY)
PRIMARY: 0.076 OHMS ± 20%,18uH ± 15%;
SECONDARY:1300 OHMS ± 20%,
470mH± 15%;
MEASURED AT 1KHZ,75° F
- 8.SPARK VOLTAGE: >18KV(CL=20PF);
DISCHARGE PULSE:5± 2us;
- 9.INSULATION RESISTANCE >100M OHMS;
- 10.OUTPUT TERMINAL BY TENSION TEST,
DRAWING FORCE GREATER THAN 3kgf.cm;
- 11.OUTPUT TERMINAL WITH A TORSION
TESTER,TORQUE GREATER THAN 8kgf.cm.

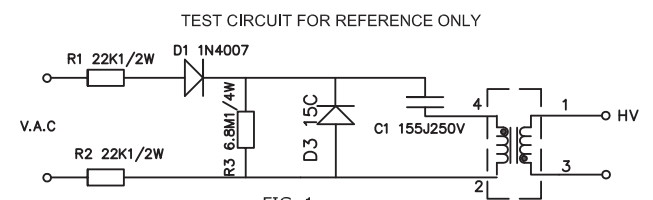


FIG. 1

NOTES:AB points between the trigger voltage is 150V

MAP	A4	PAGE	1	FIRST CORNER	PRODUCT	18RA-109	
UNIT	mm	SCALE	1:1		MATERIAL NO.		
				APPOVE	DRAWING NO.		
				CHECK	DRAWING NAME	Finished product	
				DESIGN	DRAWING NO.	1.0	

GEI INC.
geicomponents.com